

# NTF-515

## Operation Manual



**RTI Technologies, Inc.**  
10 Innovation Drive  
York, Pennsylvania 17402 USA  
Phone: 717-840-0678  
Toll Free: 800-468-2321  
Web-site: [www.rtitech.com](http://www.rtitech.com)

Manual P/N: 035-81474-00 (RevA)

# TABLE OF CONTENTS

Pictograms.....	3
Health, Safety and Environmental Aspects.....	3
Description of the NTF-515 Membrane.....	4
Process Parameters.....	5
Unpack & Check Equipment.....	6
Safety Precautions.....	6
Operation.....	7
Nitrogen Purity Selection.....	7
Automatic Tire Filling.....	8
Manual Single Tire Vacuum and Fill.....	10
Testing Nitrogen Purity.....	11
Maintenance.....	12
Trouble Shooting Guide.....	13
Parts Identification.....	14


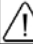




## **NORMAL OPERATION – LOSS OF PRESSURE**

Nitrogen is generated by the NTF-515 and retained in the storage tank. Nitrogen generation stops when this tank fills to the specified design pressure.

The pressure in the NTF-515 storage tank may drop after extended non-use (over night for example). This is normal, and is similar to air compressors that will periodically cycle on to replenish pressure lost in the air storage tank and attached delivery system. Permeation through service hoses, fill nozzles, valves and other components directly associated with nitrogen generation is to be expected, and does not impact normal operation.

It may take a few minutes to replenish the pressure in the storage tank to maximum next time the NTF-515 is used. This is normal.

## PICTOGRAMS

 WARNING	<b>Warning:</b> Hazard that can cause death or serious injury. Follow the instructions.
 CAUTION	<b>Caution:</b> Danger that can cause damage to the equipment. Follow the instructions.
	<b>Warning:</b> Risk of death due to suffocation.
	<b>Risk of fire:</b> Oxygen-enriched air leads to an increased risk of fire in the event of contact with flammable products.
	<b>High pressure risk:</b> Follow the instructions with respect to compressed gasses.
	<b>Instructions with respect to the environment.</b>

## HEALTH, SAFETY AND ENVIRONMENTAL ASPECTS

### GENERAL

Correct use of the NTF-515 Nitrogen generator is important for your personal safety and for trouble-free functioning. Incorrect use can cause damage to the NTF-515 or can lead to incorrect gas supply to the customer's process.



**Warning:** Read this manual before you start operating the NTF-515. Prevent accidents and damage. Contact RTI if you detect a problem that you cannot solve with this manual.

### COMPRESSED AIR



**Warning:** Ensure that the feed air pressure can not exceed 190 psig.

## NITROGEN AND OXYGEN

The NTF-515 generates Nitrogen as a product. Oxygen enriched air is released as waste.



### Warning



Nitrogen can cause suffocation. Oxygen enriched air leads to increased risk of fire in the event of contact with flammable products. Make sure that there is adequate ventilation at all times!



Do not install the NTF-515 in an area where explosive substances may be present.

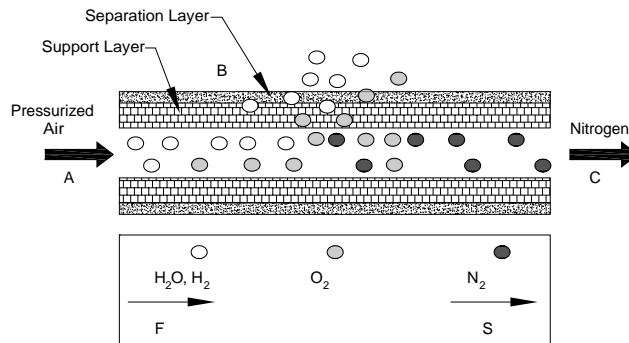
## DESCRIPTION OF THE NTF-515 MEMBRANE

### GENERAL

The NTF-515 separates compressed air into nitrogen and an oxygen enriched air stream. The separation system is based on membrane technology. The compressed air comes from a central system or from a dedicated compressor.

The nitrogen produced is stored in the nitrogen storage vessel. The NTF-515 then switches on and off, depending on the nitrogen demand.

### Separation Principle



- |   |                       |   |      |
|---|-----------------------|---|------|
| A | Pressurized air inlet | F | Fast |
| B | Hollow fiber membrane | S | Slow |
| C | Nitrogen outlet       |   |      |

Ambient air contains nitrogen (78.1%), oxygen (20.9%), argon (1%), carbon dioxide, water vapor and traces of other inert gasses. Pressurized air (A) is fed through the hollow fiber membrane (B). The various air components diffuse through the wall of the membrane.

The diffusion rate differs for the various gases:

Oxygen and water vapor have a high diffusion rate and permeate rapidly through the membrane wall.

Nitrogen has a low diffusion rate and permeates slowly through the membrane wall.

At the exit of the membrane (C), pressurized nitrogen is released.

## PROCESS PARAMETERS

The nitrogen production depends on these parameters:

<b>Flow rate</b>	The lower the flow rate of compressed air through the hollow fiber membrane, the more oxygen can permeate through the membrane wall. As a result, the nitrogen produced at the outlet will have a higher purity. Nitrogen purity can be adjusted with the flow control valve.
<b>Temperature</b>	The NTF-515 operates at a temperature between 40-110°F (70-80°F optimally). If the temperature increases, the pressurized air consumption will also increase. Do not place the system in a room where the temperature may rise unnecessarily high.
<b>Membrane pressure</b>	Allow enough piping between the compressor exit and the NTF-515 inlet so that the hot compressed gas has time to cool within the specifications listed in this manual. A higher membrane pressure will increase the capacity (i.e. nitrogen output) of the NTF-515. Pressure also enables operation of the pneumatic pressure switch.
<b>External pressure</b>	There must be atmospheric pressure at the outlet. The capacity and the purity of the nitrogen gas decreases strongly if the vent pressure exceeds the atmospheric pressure.



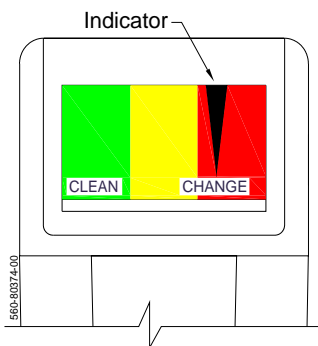
### CLEAN SHOP AIR – PROPER FLOW & PRESSURE

Many shop air supplies have an oiler installed to provide lubrication for air tools. The life of the filters in the NTF-515 will be increased if the shop air supply is free from moisture and oil.

Recommendation - install a separate air line without an oiler to connect to the NTF-515. If this is not practical, consider installing a separate pre-filter before connecting the NTF-515 to limit potential contamination to the NTF-515 filters.

Also, ensure the shop air supply meets the pressure and flow ratings stated in the NTF-515 Operation Manual for maximum nitrogen generation.

### ... IMPORTANT ...



The condition of the Filter Element (mounted on rear of unit) can only be checked when shop air is connected to the unit and it is in the FILL TIRE mode of operation with Nitrogen being generated and filling the tank. It may be necessary to press the trigger on the fill wand to cause the tank filling. At all other times the Indicator will not be visible.

The Filter Element must be changed when the indicator moves into the CHANGE area and at least annually to protect the membrane warranty.

## UNPACK & CHECK EQUIPMENT

Ensure that all components were delivered.

Ensure that the compressed air source meets specification:

Oil content of the compressed air is below 0.01mg/m<sup>3</sup>.

Ensure that the compressed air pressure and quality is always as prescribed.

Ensure that the air capacity is sufficient.

**CHARGE BATTERY FOR AT LEAST 5 HOURS PRIOR TO FIRST USE.**

## SAFETY PRECAUTIONS



### Warning

Ensure there is sufficient ventilation.  
Only feed the NTF-515 with air.



Keep the air feed to the NTF-515 clean and free of vapors of organic solvents and other contaminants. Do not place the NTF-515 in a room where organic solvent vapors may be present.

Keep the ambient temperature between 40 and 110 °F. Do not connect hot compressed air directly from a compressor to the inlet of the NTF-515.



Regular maintenance should be performed on the NTF-515 to ensure proper and safe operation. Ensure that instructions concerning health and safety are compliant with local regulations.

## ENVIRONMENTAL ASPECTS



The use and maintenance of the NTF-515 do not include environmental dangers. Most parts are made of metal and can be disposed of in a manner consistent with local regulations.

Make sure that instructions concerning health, safety and environment are compliant with all local regulations.

# OPERATION



## FOREIGN SUBSTANCES IN TIRES

Tires which have been in service may contain foreign substances such as leak sealers. It is important that these substances are not pulled into the NitroPro unit during the vacuum procedure, resulting in possible performance issues and costly repairs not covered by RTI's warranty.

When servicing a vehicle, first check the valve stems and valve stem caps for any type of fluid or foreign substance. Install deflators and allow all four tires to deflate to zero pressure. Then check the deflators for any indication of fluids or foreign substances.

Do not use the NitroPro vacuum procedure on any tire where evidence of fluids or foreign substances are detected on the valve stems, valve stem caps or deflators. Instead, follow a four step "deflate-inflate-deflate-inflate" process to achieve desired nitrogen purity.

## NITROGEN PURITY SELECTION

NTF-515 allows an operator to select desirable purity of generated Nitrogen. Purity selector is located in the left lower corner of the unit's rear panel.

Turn selector knob to desirable purity before starting nitrogen generation. If storage tank is filled with 95% pure Nitrogen, it must be fully emptied before switching to 98% purity. To empty the tank, attach tire deflator to Nitrogen Purity Test Port located on the front panel and release stored Nitrogen to atmosphere.

**Higher purity Nitrogen generation and vehicle service times will double if 98% pure Nitrogen is selected.**

After purity is selected, NTF-515 can be used either in automatic or manual mode.



# AUTOMATIC TIRE FILLING



## PURGE/FILL AND TOP OFF CYCLES

1. Attach air supply (150 PSI max) to the unit. Verify pressure indicated on panel mounted Air Pressure gauge is between 120 - 150 PSI.
2. Turn both valve knobs to FILL TIRE.
3. Allow unit to build pressure in Nitrogen storage tank as shown on N<sub>2</sub> pressure gauge (120 PSI).
4. Turn on POWER switch on the top of control panel. PCB will display battery charge status (HI or LO). Ensure that 12VDC battery is charged. See section on Battery charging for more information.
5. Connect hoses to tires. NTF-515 unit is equipped with four service hoses, coiled on both sides. 12 FT long hoses should be connected to tires, nearest to the operator. 24 FT long hoses should be connected to farthest tires on the vehicle. Ensure that air chucks are fully engaged with valve stems for proper service.
6. Set the final target pressure by pressing + or – buttons.
7. To change Over Pressure and Nitrogen Purge Cycles settings see following sections.
8. Press and hold START button for two seconds (until long beep). This will start Purge/Fill cycle. For Top Off cycle press START button momentarily and release it. Top Off cycle will start immediately.  

One complete Purge/Fill cycle will deflate all tires to 10% of target pressure (approximately 3 PSI for 30 PSI target), inflate to target pressure, deflate to 50% of target pressure then inflate to final target pressure. (If two or more Purge Cycles are programmed the above process will be repeated).
9. Unit will beep at the end of service and word END will appear on LCD.
10. It's recommended to wait 10-15 seconds after the end of service before disconnecting hoses.
11. Press any key to stop process.

## **TOP OFF AND PURGE/FILL CYCLE COUNTER**

NTF-515 will total the number of Top Offs and Purge/Fill cycles performed.

1. Press and hold + and - buttons simultaneously until unit beeps.
2. Press + or – button.
3. First displayed number shows thousands of Top Offs.
4. Press + or - button. Hundreds, tens and ones of Top Offs will be displayed.
5. Press + or - button. Thousands of Purge/Fill cycles will be displayed.
6. Press + or - button. Hundreds, tens and ones of Purge/Fill cycles will be displayed.
7. Press + or - button to exit counter mode.

## **OVERPRESSURE SETTING (OPS) AND PURGE/FILL CYCLES**

1. Turn POWER switch on.
2. Press N2 button once.
3. Press + or – buttons to change the Overpressure Setting.
4. Press START button to save the Overpressure Setting.
5. Press N2 button.
6. Press + or – buttons to select desirable number of Purge/Fill cycles.
7. Press START button to save the number of Purge/Fill cycles.

## **BATTERY CHARGING**

NTF-515 is powered by an internal 12VDC battery. Charge battery for at least 5 hours prior to first use. Battery charge level is displayed immediately upon unit powering. HI indicates that battery is charged. LO indicates low charge and battery needs to be recharged. Plug battery charger in 110VAC wall outlet and insert plug into battery charging port. Unit can be operated during recharging process. Typical recharge time is 3-5 hour depending on battery condition.



# MANUAL SINGLE TIRE VACUUM AND FILL

## VACUUM TIRE

1. Install deflators and **check for foreign substances as explained earlier.**
2. Connect shop air to the air inlet port on the rear of the NTF-515. Verify pressure indicated on panel mounted Air Pressure gauge is between 120 - 150 PSI.
3. Turn both panel valves to VACUUM TIRE.
4. Remove deflator and connect Digital Pressure Gauge (on the end of the NTF-515 coiled green hose) to the tire valve stem. Squeeze handle to vacuum the tire. Periodically release the handle to observe the vacuum level. **Do not vacuum to a level where the tire starts to deform.**

If your application requires an inlet pressure of 100 - 119 PSI, an adjustment to the automatic pressure switch may be required.

Contact RTI Technical Support at 800-468-2321 for further details.

## FILL TIRE

1. Connect shop air to the air inlet port on the rear of the NTF-515. Verify pressure indicated on panel mounted Air Pressure gauge is between 120 - 150 PSI. Verify Nitrogen pressure indicated on the panel mounted N<sub>2</sub> Pressure gauge is adequate for service.
2. Turn both panel valves to FILL TIRE.
3. Connect Pressure Gauge (on the end of the NTF-515 coiled green hose) to the tire valve stem. Squeeze handle to fill tire. Periodically release the handle to observe the pressure level. Stop when the pressure reaches the tire manufacturer's recommended inflation pressure. **Do not over inflate.**
4. Install an RTI N<sub>2</sub> Cap (Package of 200 - Part Number 355-80026-00).



**Note:** While not using the NTF-515 to fill or vacuum tires, generate Nitrogen and increase the Nitrogen pressure in the internal storage tank by turning both panel valves to STANDBY.

**Note:** While using the NTF-515, the automatic drain feature of the filters may activate to remove excess water and oil. This is normal with the standard operation of the unit.

## TESTING NITROGEN PURITY

The NTF-515 Purity Tester can be used to determine the percent of nitrogen produced by the NTF-515 by connecting to the Test Port. It can also be used to determine the percent of nitrogen in the air in the tires after performing a service.

Refer to the Operation Manual for the NTF-515 Purity Tester (035-81169-00) for further details.

### HELPFUL HINT – PURITY TESTING

When using the Purity Tester to measure nitrogen purity in a tire, you can minimize the pressure loss, and corresponding refill requirements, by removing the Tester from the valve stem after a sample has been obtained.

You will notice that the reading continues to climb after the Tester has been removed; this is a function of the response time of the internal sensor. Once the rate of change in the reading begins to slow down or stabilize, reapply the Tester to the valve stem to obtain another sample.

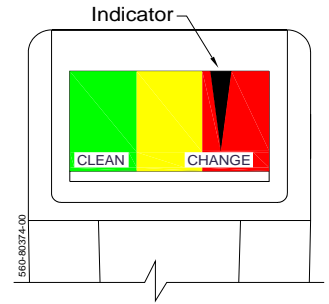
This method is particularly effective at the beginning of the test procedure, when large changes in nitrogen purity readings quickly occur.



Even if you follow this method, you should **ALWAYS RECHECK THE TIRE PRESSURE** when purity testing is complete and replenish nitrogen as necessary.

# MAINTENANCE

Part	Action	Frequency
Filter Element	Replace	Yearly or when indicator on the filter head moves to the CHANGE area as shown in the illustration to the right.
Automatic Drain	Clean	When required



## ... IMPORTANT ...

The condition of the Filter Element (mounted on rear of unit) can only be checked when shop air is connected to the unit and it is in the FILL TIRE mode of operation with Nitrogen being generated and filling the tank. It may be necessary to press the trigger on the fill wand to cause the tank filling. At all other times the Indicator will not be visible.

The Filter Element must be changed when the indicator moves into the CHANGE area and at least annually to protect the membrane warranty.

## REPLACE FILTER ELEMENT

Disconnect the air supply.

Let the system depressurize until the air pressure gauge reads 0 PSI.

Unscrew the bleed screw (F) slowly to ensure that the filter is depressurized.

Turn the filter bowl (E) counter-clockwise and pull the bowl from the filter housing (A).

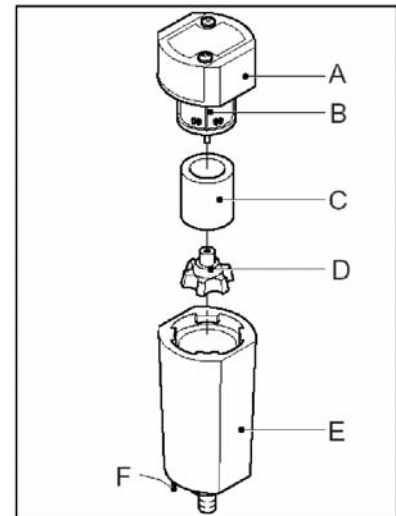
Unscrew the blue knob (D).

Remove the old filter element (C).

Clean the sieve (B) and the filter house, if necessary.

Install a new filter element (C).

Assemble the parts in the reverse order.



**Note:** A periodic check of the automatic drains is necessary to ensure maximum membrane life. To verify float is functioning correctly, open the filter bowl by turning one quarter turn counter-clockwise. Inspect for water or oil, an inactive float will be submerged, an active float will not. If float is found to be inactive follow clean automatic drain procedure or if necessary replace with part number 026-80386-00.

## CLEAN AUTOMATIC DRAIN

Open the filter by turning the bowl one quarter turn counter-clockwise.

Unscrew the nut (F).

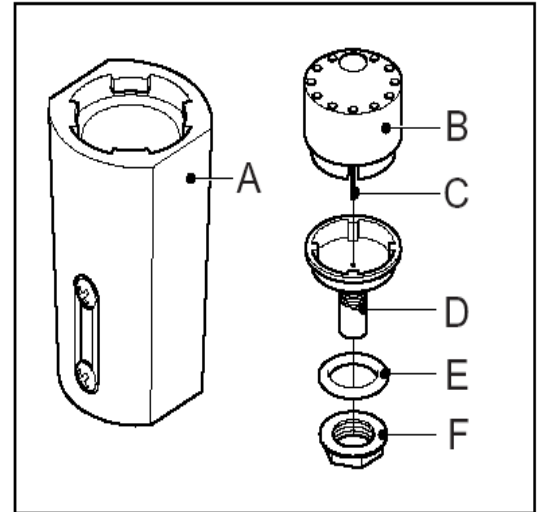
Remove the drain unit (B-E) from the filter bowl (A).

Remove the O-ring (E).

Carefully pull the floating house (B) from the seat (D). Do not bend the needle (C).

Clean the parts with soap and water. Make sure that the needle bore is open and clean.

Assemble the parts in the opposite direction. Make sure that the parts are dry before reassembly.



## AUTOMATIC PRESSURE SWITCH SETTING

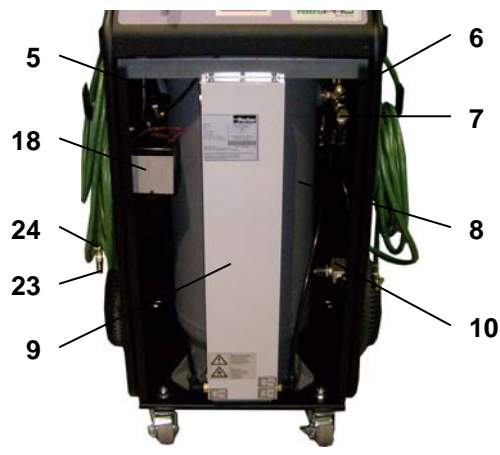
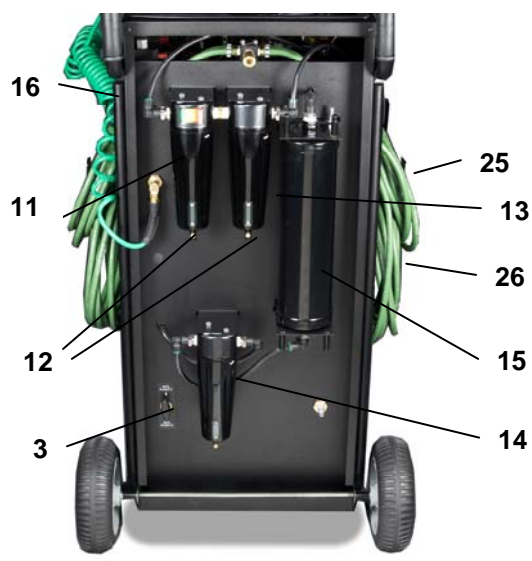
The automatic pressure switch is factory pre-set to shut off shop air consumption at 120 PSI. This switch will then automatically reset when the N<sub>2</sub> Pressure inside the tank drops by approximately 25 PSI.

If your application requires an inlet pressure of 100 - 119 PSI, an adjustment to the automatic pressure switch is possible. Please contact RTI Technical Support at 800-468-2321 x 1 for further details.

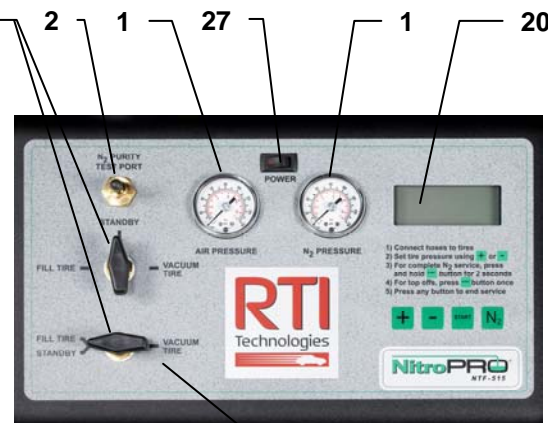
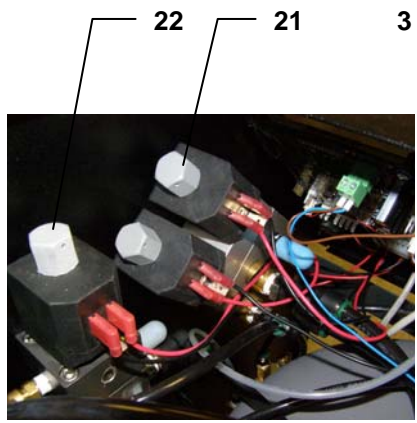
## TROUBLE SHOOTING GUIDE AND POSSIBLE ERROR MESSAGES

Problem	Possible Cause	Solution
1. Display does not light	Dead Battery	Recharge battery
2. Inflation process starts, but does not complete	Low supply pressure or leaks exist	Check supply pressure & confirm leaks do not exist
3. Hose connectors will not seal to the tire stems	Hose connections worn	Replace connectors
4. Hose connectors leak while not connected to tires	Hose connections worn	Replace connectors
5. E4 on display	Over inflation due to blocked hose	Remove blockage or replace hose
6. E5/E16 on display	Unit powered ON while connected to tires	Remove hoses from tires and turn power OFF/ON again
7. E6/E8/E9 on display	PCB or sensor error	Contact RTI Technologies
8. E10 on display	Low battery charge	Charge battery at least for 5 hours
9. E11/E12 on display	PCB fault	Contact RTI Technologies

# PARTS IDENTIFICATION



	Part Number	Description
1	026-80379-00	2 inch Gauge 0-160 psig/bar 1/4MPT
2	023-80364-00	FTG Test Port 1/4 MPT X valve stem
3	022-80028-00	3-way ball valve 1/4 FPT (BHD)
4	026-80330-00	pneumatic vacuum pump
5	022-80149-00	pneumatic pilot valve
6	022-80131-00	adjustable pneumatic pressure switch
7	022-80128-00	check valve 3/8 FPT
8	022-80377-00	15 gal vertical tank
9	026-80395-00	nitrogen membrane (5.1 CFM)
10	022-80151-00	needle valve 3/8 FPT
11	026-80396-00	water filter with auto drain
12	026-80386-00	auto drain float
13	026-80397-00	oil filter with auto drain
14	026-80398-00	moisture filter
15	026-80399-00	carbon bed
16	028-80362-00	coiled green hose
17	023-80395-00	air chuck with digital pressure gauge
18	040-80213-00	12 VDC battery
19	026-80513-00	battery charger
20	024-80139-00	circuit board with sensor
21	025-80414-00	solenoid manifold
22	025-80415-00	diverter valve
23	023-80390-00	air chuck
24	021-80169-01	hose clamp
25	060-81638-12	12 foot hose
26	060-81638-24	24 foot hose
27	024-80066-00	power switch



4 (under panel)